

Fractal T-Shaped Antenna for WiMAX Applications

Nidhi Lal

Dept. of Wireless Communication and Computing
Indian Institute of Information Technology
Allahabad, India
nidhi.2592@gmail.com

Shishupal Kumar

Dept. of Wireless Communication and Computing
Indian Institute of Information Technology
Allahabad, India
iwc2013016@iiita.ac.in

Shikha Baghel

Dept. Wireless Communication and Computing
Indian Institute of Information Technology
Allahabad, India
iwc2103009@iiita.ac.in

Abstract— Fractal antenna, as name concerns, uses fractal i.e. structure does not change and repeat it when large focus has created upon it. This repetition feature of this antenna provides a great flexibility that it can be designed and can be used in different frequencies. Fractal geometry has shown its potential in many fields of engineering and technology. In antenna engineering fractal geometry is very useful for performance improvement, in terms of gain and other things. This paper presents a modified fractal T-shape antenna meant for WiMAX applications. The simulation results of the proposed design show that the fractal shape gives better performance than that of existing one. Simulation outcomes also demonstrate that the anticipated design gives enhanced performance in stipulations of return loss. Simulation results show that the operating frequency of the proposed antenna is applicable for WiMAX applications.

Index Terms—Printed Antenna; Triangular Slot; Rectangular Slot; WiMAX.

I. INTRODUCTION

All The demand for low cost and compact antenna has been resulted from the rapid development of wireless communication devices. WiMAX belongs to IEEE 802.16 family of standards. The full form of WiMAX is Worldwide Interoperability for Microwave Access, it provides a data rate of 30-40 Mbps, enabling us with interoperable implementations. Because of simplicity and low cost, printed antennas are a common candidate for these types of

applications. Due to the compactness and minimum fabrication cost of the printed antenna, many researchers are exploring this field. A compact T-shaped antenna is proposed in [1] for WiMAX applications with a return loss around -10dB. There are three frequency bands for the WiMAX applications, 2.5-2.69 GHz, 3.2-3.6 GHz and 5.2-5.8 GHz ranges [2], these are classified as lower band, middle band and upper band correspondingly. This paper anticipates a waveguide fractal T-shaped antenna for WiMAX applications by means of a return loss is -16.66 dB, with inclusion of middle band frequency i.e. 3.4GHz. Many advantages of WiMAX applications are including smart grids, metering and telecommunications services. There are many remote areas where extension of cables is somewhat difficult, but using WiMAX application this problem can be addressed [3]. To expand the bandwidth of antennas and other parameter like return loss different shapes of patch have also been used. WiMAX is a wireless communication standard designed to provide 30 to 40 megabit-per-second data rates. In this proposed antenna total space occupied is $20 \times 20 \times 1.524 \text{ mm}^3$ [1]. Fractal antennas give a finite area of coverage but the diameter of perimeter becomes infinite. Fractal antenna is used in most of the traditional and innovative applications today. In antenna engineering fractal geometry is very useful for performance improvement, in terms of gain and other things. Fractal antenna gives high performance with high variation in the size of its structure. Fractal antenna inherits the feature of Euclidean antenna. The use of fractal in Fractal antenna by two ways. In the first way, antenna elements are becoming discrete to end Application's users and in the second way, a blueprint antenna is proposed which uses self-structure geometry so that resultant antenna can work on different

frequencies. The fractal design has been introduced to increase the return loss of the antenna. The anticipated antenna is appropriate for utilize in laptop resembling devices.

II. RELATED WORK

In [1], a compact T-shape CPW fed antenna has been proposed which works for WiMAX application on frequency 3.5 GHz. The antenna design proposed in [2] is a slot antenna for WiMAX application in the middle band with an improved return loss of -16.5 dB. Proposed antenna in this paper shows a modified version of antenna given in [1] and a better return loss has been obtained than what is proposed in [2] A X- The polarization array antenna has also been proposed in [3], which operates at 3.5 GHz WiMAX frequency. Double L-slot patch antenna is proposed in [4] which serves two purposes; one is WiMAX application and simultaneously WLAN application. Simulated -10 dB bandwidth for [4, 5] is ranging from 2-6 GHz, maximum return loss obtained is -35 dBI which is at 4.8 GHz. In [12] novel type of miniature microstrip patch antenna has been demonstrated based on fractal geometry. In [13] new cell of UC-PBG structures for microstrip antennas is adopted to reduce the surface waves and improve the radiation patterns. Koch curve fractal geometry is also a popular choice for the miniaturization of antenna [14]. [15] Research paper has shown improved performance for antennas. [16] The topology used for making microstrip patch antenna is U-shaped, which is a single narrowband patch antenna. [17] The E-shaped microstrip patch antenna is used for WLAN applications. [18] While, Dual wideband stacked patch antenna is used for both WLAN and WIMAX applications [19]. Due to these properties [20], the microstrip patch antenna has become very popular in many applications such as in WiMAX communication system and mobile applications.

II. PROPOSED DESIGN

In this paper, we are implementing Fractal T-Shaped Antenna, which is used efficiently for wireless network. The antenna which is used in WiMAX should contain high gain with directional or omnidirectional features. Directional antenna radiates signal with beam width consideration of few range, but omnidirectional antenna radiates or transmitted signal in all directions with having center radiator node property. The designer of antenna can use directional or omnidirectional according to their requirement set up. Fractal antenna has unique features that it can contain many geometries with properties of fractal as well as the reason for considering fractal antenna in WiMAX applications is, Fractal contains so many advantages when applied to antenna and used for wireless communication. If the fractal antenna is used in WiMAX then the size of the antenna will reduce with great performance and antenna can perform in various resonance frequencies. For achieving Wideband performance, infinite Complexity combined with self-similarity i.e. repetition. Compact size of Fractal antenna provides higher gain with great efficiency and this feature make them more suitable to use them in wireless communication applications. Fig.1

describe the structure of waveguide fractal T-shaped printed antenna. This antenna is simulated on a Rogers RO4350 substrate by means of a thickness of 1.524 mm. Triangle used for fractal is rhombus with elevation 1. The 50Ω waveguide feeding structure composed of a strip of width 3.6mm (G). The antenna is simulated on CST Microwave Studio software by way of a frequency of 3.4GHz. Substrate dimensions are 20x20 mm² [1]. Dimensions of the antenna are given in table-1.

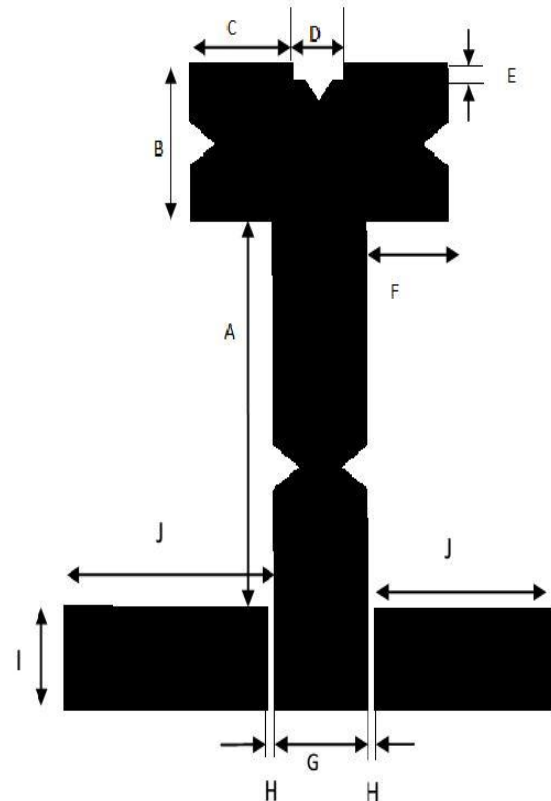


Fig 1. Configuration of anticipated fractal antenna

III. DESIGN SPECIFICATIONS

The proposed antenna has been simulated on transient solver in CST Microwave Studio simulation tool. This Antenna design simulator CST is installed on windows 7 very easily. listing of parameters used in the intend design of Fractal antenna is specified below in table 1.

TABLE 1 Parameters of projected Antenna

Parameter	Value(mm)
A	11
B	4.5
C	4
D	2

E	0.5
F	3.2
G	3.6
H	0.3
I	3
J	7.9

III.SIMULATION RESULTS

Simulation of the proposed antenna has been done in transient solver in the CST Microwave Studio. The performance of the WiMAX applications depends on certain parameters such as gain, radiation pattern, and return loss. These parameters depend on the simulation performance and design techniques of the fractal antenna. These results proved by simulation and the corresponding results have been shown below.

A. RETURN LOSS

Simulated frequency in opposition to return loss value is revealed in Fig 2. It covers the WiMAX application which works on 3.4 GHz frequency.

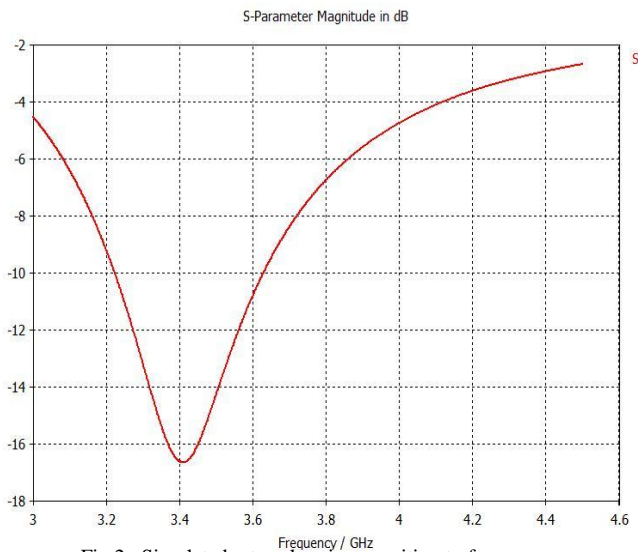


Fig 2. Simulated return loss in opposition to frequency

It sees that -10dB return loss of anticipated antenna with consideration of frequency is 3.2GHz to 3.6GHz, therefore bandwidth of the antenna is as regards 400MHz. Return loss of this antenna is -16.66 dB for frequency 3.4GHz and is -14.27 dB with consideration of frequency is 3.5GHz, which belongs to the range of WiMAX frequency.

B. VOLTAGE STANDING WAVE RATIO (VSWR)

Ideally, VSWR should range from 1 to 2 [4], which is of proposed antenna is 1.34 and has been shown in Fig. 3.

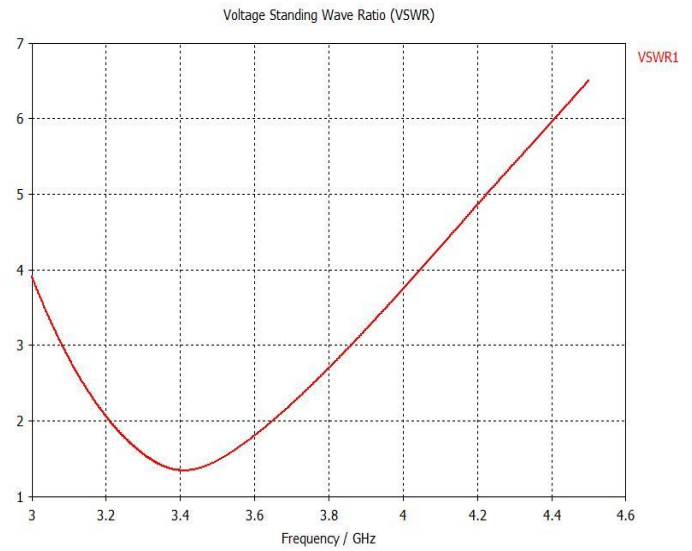


Fig 3. VSWR versus frequency graph

C. RADIATION PATTERNS

The gain of an antenna is described as the intensity of radiation of the antenna in a particular direction, which relates the concept of directivity and electrical efficiency of the antenna. [13-22]The radiation pattern is the representation of obtaining gain, including direction as a function. The radiation patterns have been simulated and shown in Fig.4 and Fig.5. Fig. 4 shows the 2D radiation pattern and Fig. 5 shows an E - plane for the proposed antenna for frequency band of 3.4GHz.

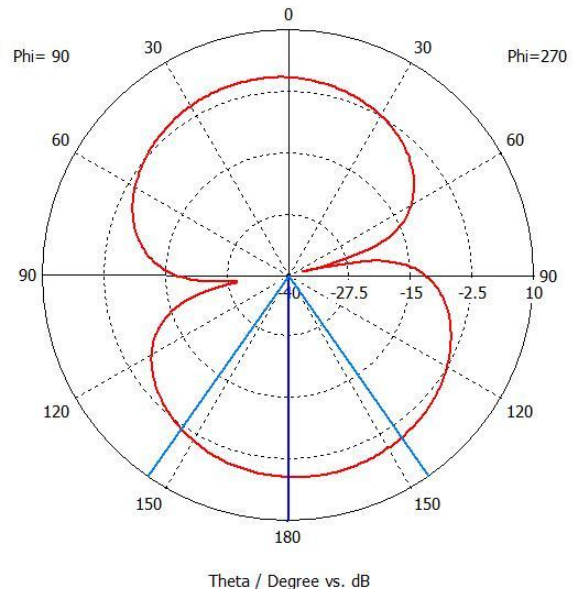


Fig 4 . 2D radiation pattern with frequency 3.4GHz

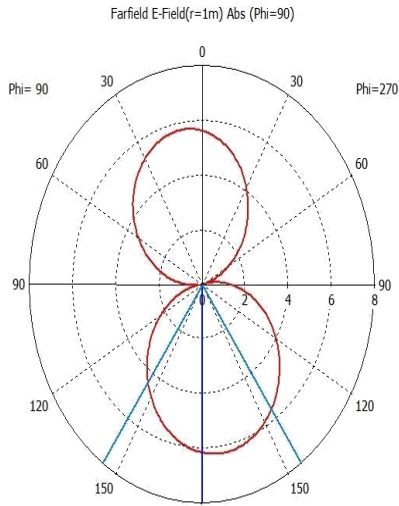


Fig 5. E-plane of antenna

IV. CONCLUSION

A fractal waveguide antenna is proposed, which operates on frequency 3.2GHz to 3.6GHz, thus suitable for WiMAX applications. The idea behind this design is to insert some slot configurations. Gain of this antenna with consideration of frequency 3.5GHz is 1.35 and with consideration of frequency 3.4GHz is 1.33. Return loss of this antenna for WiMAX application band is -14.27. Antenna shows the acceptable return loss and radiation pattern, which is proved in simulation and shown in this paper.

REFERENCES

[1] Pei Cheng Ooi; Selvan, K.T., "Compact T-Shaped CPW-fed printed antenna for 3.5 GHz WiMAX applications," *Microwave, Antenna, Propagation and EMC Technologies for Wireless Communications*, 2009 3rd IEEE International Symposium on , vol., no., pp.262,264, 27-29 Oct. 2009

[2] Chitra, R.J.; Jayanthi, K.; Nagarajan, V., "Design of microstrip slot antenna for WiMAX application," *Automation, Computing, Communication, Control and Compressed Sensing (iMac4s)*, 2013 International Multi-Conference on , vol., no., pp.645,649, 22-23 March 2013

[3] Dewan, R.; Rahim, S. K A; Ausordin, S. F.; Iddi, H. U.; Abd Aziz, M.Z.A., "X-Polarization array antenna with parallel feeding for WiMAX 3.55 GHz application," *RF and Microwave Conference (RFM)*, 2011 IEEE International , vol., no., pp.368,372, 12-14 Dec. 2011

[4] Chitra, R.J.; Karthik, B.R.; Nagarajan, V., "Design of double L-slot microstrip patch antenna for WiMAX and WLAN application," *Computing, Communication and Applications (ICCCA)*, 2012 International Conference on , vol., no., pp.1.4, 22-24 Feb. 2012

[5] Myung Ki Kim; Kwonil Kim; Young Hoon Suh; Ikmo Park, "A T-shaped microstrip-line-fed wide slot antenna," *Antennas and Propagation Society International Symposium*, 2000. IEEE , vol.3, no., pp.1500,1503 vol.3, 16-21 July 2000

[6] Harmouzi, M.; Essaïdi, M.; Ben Ahmed, M.; Bouhorma, M., "A compact T-shaped antenna for dual-band WLAN communications," *Microwave Symposium (MMS)*, 2009 Mediterranean , vol., no., pp.1.3, 15-17 Nov. 2009

[7] Shun-Shi Zhong; Xian-Ling Liang, "Dual-band printed T-Shaped slot antenna for WLAN application," *Microwave Conference*, 2006. APMC 2006. Asia-Pacific , vol., no., pp.1730,1734, 12-15 Dec. 2006

[8] Fan Li; Yong-Chang Jiao; Li-Shi Ren; Jin-Gang Gong; Bo Chen, "Compact double T-shaped slots antenna with a rectangular patch for bandwidth enhancement," *Antennas Propagation and EM Theory (ISAPE)*, 2010 9th International Symposium on , vol., no., pp.286,288, Nov. 29 2010-Dec. 2 2010

[9] Zhang, X.Q.; Jiao, Y.C.; Wang, W.H., "Compact wide tri-band slot antenna for WLAN/WiMAX applications," *Electronics Letters* , vol.48, no.2, pp.64,65, January 19 2012.

[10] Hazdra, P.; Mazanek, M., "Miniature microstrip fractal patch antenna working with crossed-diagonal mode," *Antennas and Propagation*, 2006. EuCAP 2006. First European Conference on , vol., no., pp.1.4, 6-10 Nov. 2006.

[11] Gao Wei; Deng Hui, "Improved Microstrip Fractal Patch Antenna Using Uni-planar Compact Photonic Bandgap Structure (UC-PBG)," *Communications and Mobile Computing*, 2009. CMC '09. WRI International Conference on , vol.1, no., pp.33,37, 6-8 Jan. 2009.

[12] Ashutosh Kumar Singh, R.A. Kabeer, M. Shukla, Z. Ali, V. K. Singh, Shahanaz Ayub "Performance analysis of first iteration koch curve fractal log periodic antenna of varying flare angles" *Central European Journal of Engineering (CEJE)*, Springer ISSN: 1896 1541 Volume 3, Issue 1, pp 51-57, March, 2013.

[13] Lal, Kumari Nidhi, and Ashutosh Kumar Singh. "Modified design of microstrip patch antenna for WiMAX communication system." *Students' Technology Symposium (TechSym)*, 2014 IEEE. IEEE, 2014.

[14] Lal, Nidhi, et al. "A Heuristic EDF Uplink Scheduler for Real Time Application in WiMAX Communication." *arXiv preprint arXiv:1501.04553* (2015).

[15] Lal, N.; Singh, A.P.; Kumar, S., "Modified trial division algorithm using KNJ-factorization method to factorize RSA public key encryption," *Contemporary Computing and Informatics (IC3I)*, 2014 International Conference on , vol., no., pp.992,995, 27-29 Nov. 2014

[16] Bhaskar-Semwal, V., et al. "Accurate location estimation of moving object In Wireless Sensor network." *International Journal of Interactive Multimedia and Artificial Intelligence* 1.4 (2011).

[17] Lal, Nidhi. "An Effective Approach for Mobile ad hoc Network via I-Watchdog Protocol." *arXiv preprint arXiv:1412.8013* (2014).

[18] Gupta, Jay Prakash, et al. "Human activity recognition using gait pattern." *International Journal of Computer Vision and Image Processing (IJCVIP)* 3.3 (2013): 31-53.

[19] Bijalwan, Vishwanath, et al. "Machine learning approach for text and document mining." *arXiv preprint arXiv:1406.1580* (2014).

[20] Sati, Meenakshi, et al. "A Fault-Tolerant Mobile Computing Model Based On Scalable Replica." *IJIMAI* 2.6 (2014): 58-68.

[21] Gupta, Jay Prakash, et al. "Analysis of Gait Pattern to Recognize the Human Activities." *arXiv preprint arXiv:1407.4867* (2014).

[22] Bijalwan, Vishwanath, et al. "KNN based Machine Learning Approach for Text and Document Mining." *International Journal of Database Theory and Application* 7.1 (2014): 61-70.